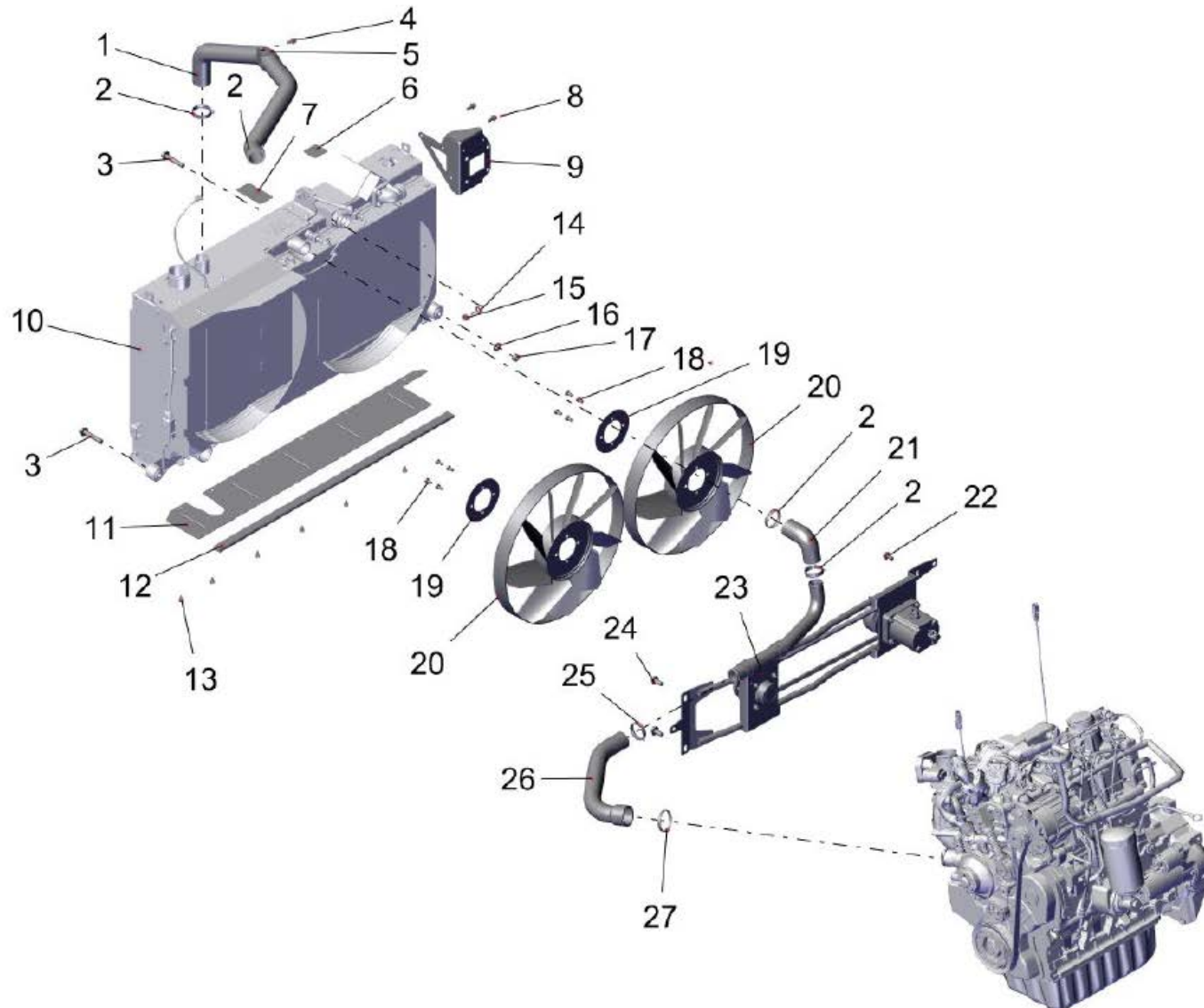


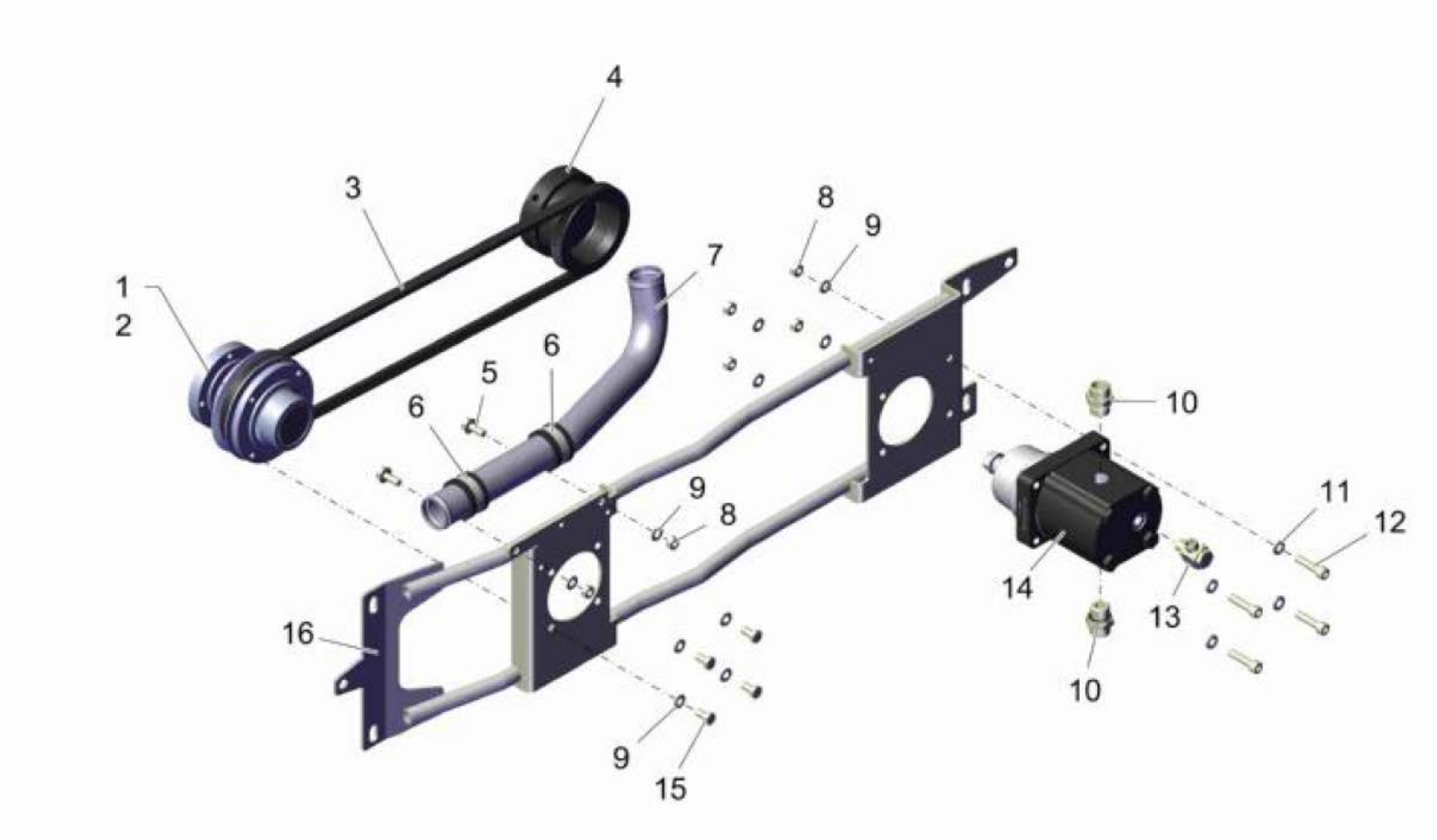
Engine cooling: Tensioning or replacing the radiator fan V-belt



Engine cooling: Tensioning or replacing the radiator fan V-belt (pos. 3)

Retainer ventilator (48601910013-B) 2017-11-15 ->

81-60-1993 aktuell



Engine cooling: Tensioning or replacing the radiator fan V-belt (pos. 3)

Retainer ventilator (48601910013-B) 2017-11-15 ->

81-60-1993 aktueller Stand

Pos.	Part-No.	Material-No.	Description	Measurement	DIN/ISO	Serial No. begin	Serial No. end	valid from	valid until	Remarks	Qty.	Unit	Status
1	06001910022	06001910022	bearing							Available! Pos. has sub-assemblies! Please take double click on pos.no.!	1	PC	01
2	06001960004	06001960004	flange								1	PC	01
3	48601960001	48601960001	V-belt	AVX 13x1300-La TP49							1	PC	01
4	06001960005	06001960005	belt pulley								1	PC	01
5	99006921008 002	99006921008 002	hexagon screw	M8x20	DIN 6921-M8 x20-10.9- Zn5mt						2	PC	13
6	0201710	0201710	Pipe clamp								2	PC	01
7	48601930001	48601930001	water pipe	38x2 ME							1	PC	01
8	0431165	0431165	hexagon nut	M8	ISO 4032-M8- 10-Zn						6	PC	01
9	0461031	0461031	Washer	A8,4	DIN 125-140 HV-Zn						10	PC	01
10	0200425	0200425	Screwing								2	PC	13
11	00009920064	00009920064	retaining washer	M8 ZL 480h 400-500HV							4	PC	01
12	0406142	0406142	Socket head screw	M8x35	DIN 912-M8x 35-10.9						4	PC	01
13	00006120056	00006120056	Fermeture								1	PC	01
14	06006040000	06006040000	Gear motor	11ccm							1	PC	01
15	0422724	0422724	hexagon screw	M8x16	ISO 4017-M8 x16-10.9-Z						4	PC	13
16	48601910015	48601910015	retainer ventilator								1	PC	01



Tensioning or replacing the radiator fan V-belt

Remove the radiator cover.
7x M8 X 20 bolt



Tensioning or replacing the radiator fan V-belt



Remove the bottom radiator cover. 6x M6 X12 bolt

Tensioning or replacing the radiator fan V-belt



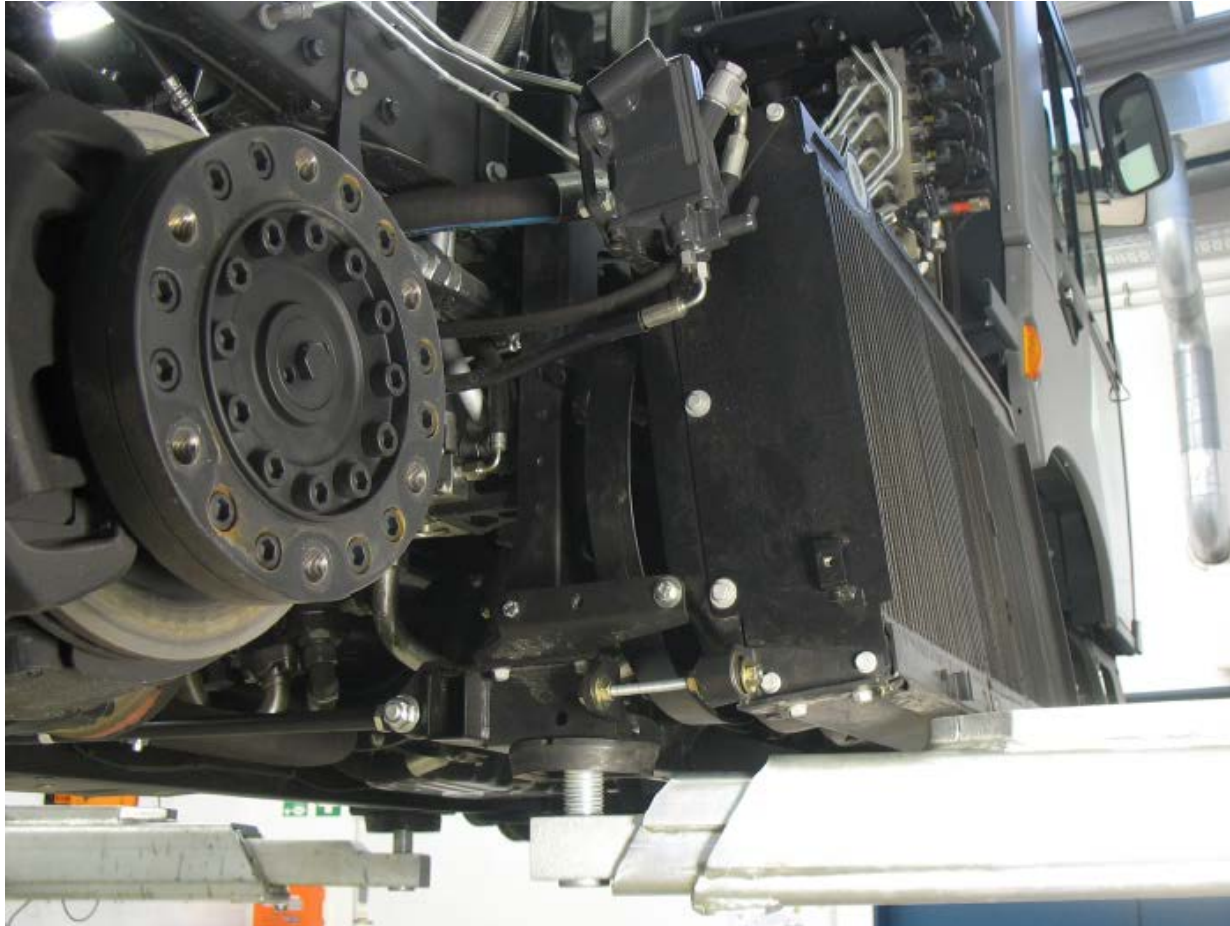
Remove the bottom charge-air cooler hose.

Tensioning or replacing the radiator fan V-belt



Remove the bottom radiator bracket. 2x M12X 65 bolt

Tensioning or replacing the radiator fan V-belt



Swing the radiator up and out, use bolts to support it.

Tensioning or replacing the radiator fan V-belt



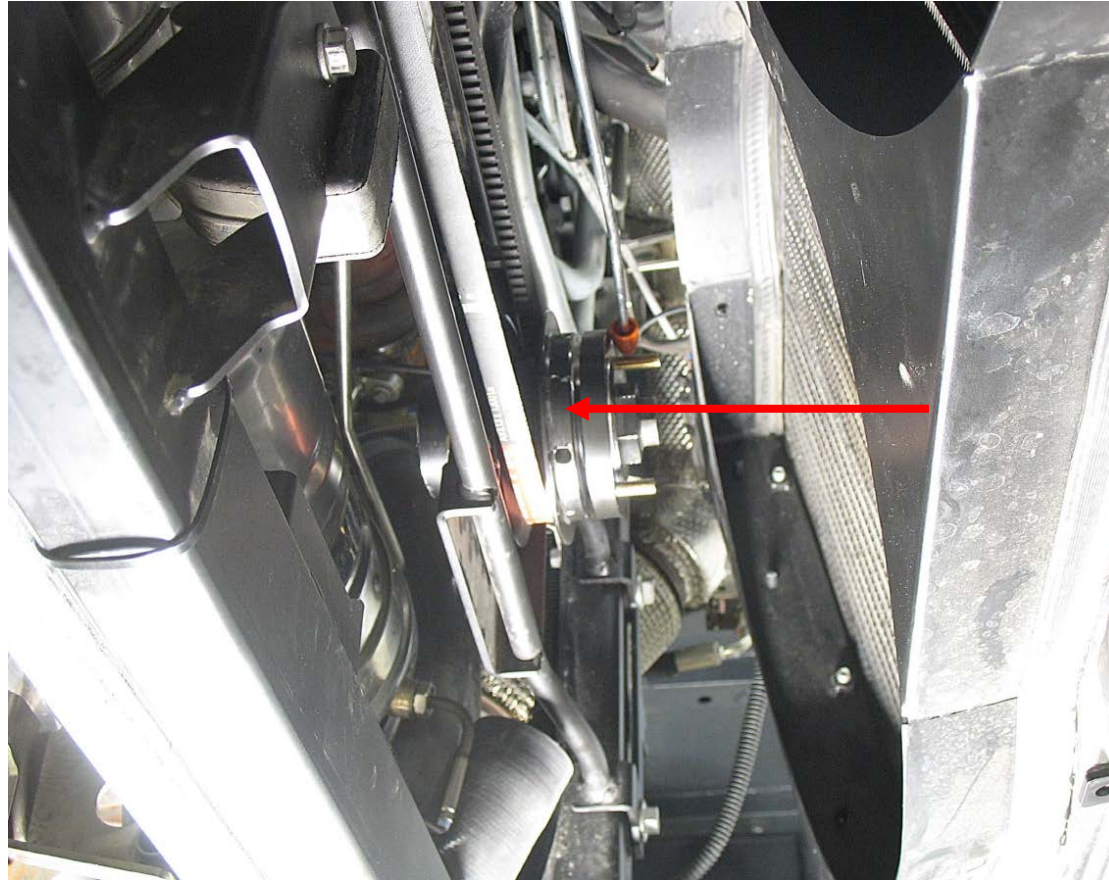
Swing the radiator up and out, use bolts to support it.

Radiator fan impeller



Remove the fan blades from the bearing support. 4x M8 X 12 bolt
Remove four M5 X6 socket head bolts from the bearing support.

Tensioning or removing the radiator fan V-belt



Remove four M5 X6 socket head bolts from the bearing support.

Note: Two socket head bolts are removed one after the other!

Turn the front belt pulley **anti-clockwise** to **slacken** the V-belt.

Turn the front belt pulley **clockwise** to **tighten** the V-belt.

Required tool: Pin punch or drift pin.

Removing the bearing support



Remove the bearing support. 4x M8 X16 socket head bolt

Removing the radiator fan V-belt



Bearing support (06001910022)



Bearing support (06001910022)

Note: Mark the grooves on the bearing support prior to assembly. The four M5 x 6 socket head bolts need to be screwed into the grooves to ensure the pulley remains in place after tensioning the V-belt!

